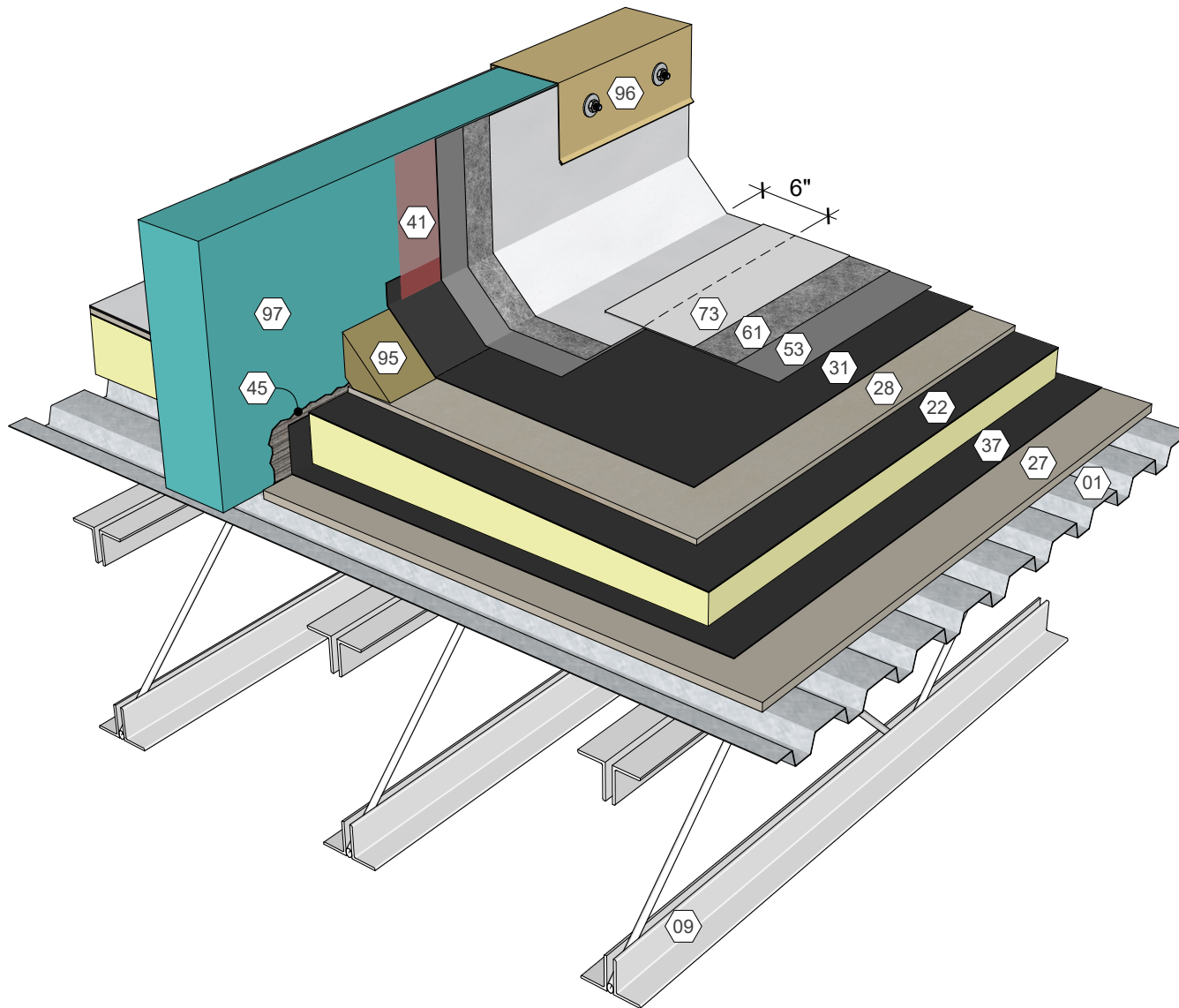
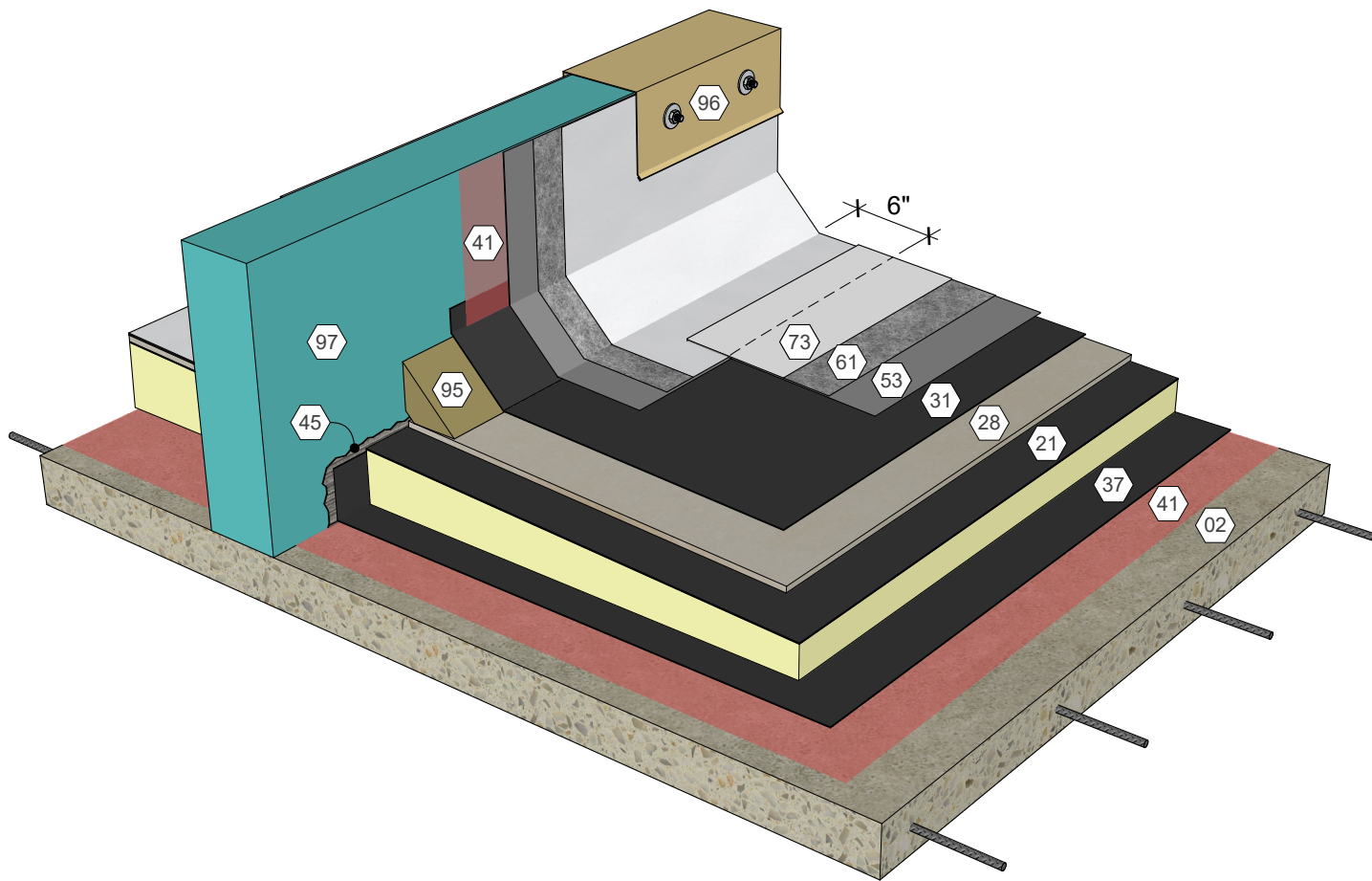


## KEY NOTES

- 01 Metal Deck
- 09 Roof Structure
- 22 Polyisocyanurate Insulation (Fastened or Adhered)
- 27 Substrate Board (Fastened)
- 28 Cover Board (Adhered)
- 31 Approved Base Ply Sheet
- 37 Approved Base Sheet (Adhered)
- 41 Approved Primer
- 45 Roofing Mastic
- 53 AlphaGuard PUMA Base Coat
- 61 AlphaGuard Glass Mat or Permafab
- 73 AlphaGuard PUMA Top Coat
- 95 Cant Strip
- 96 Metal Coping
- 97 Prefabricated Curb



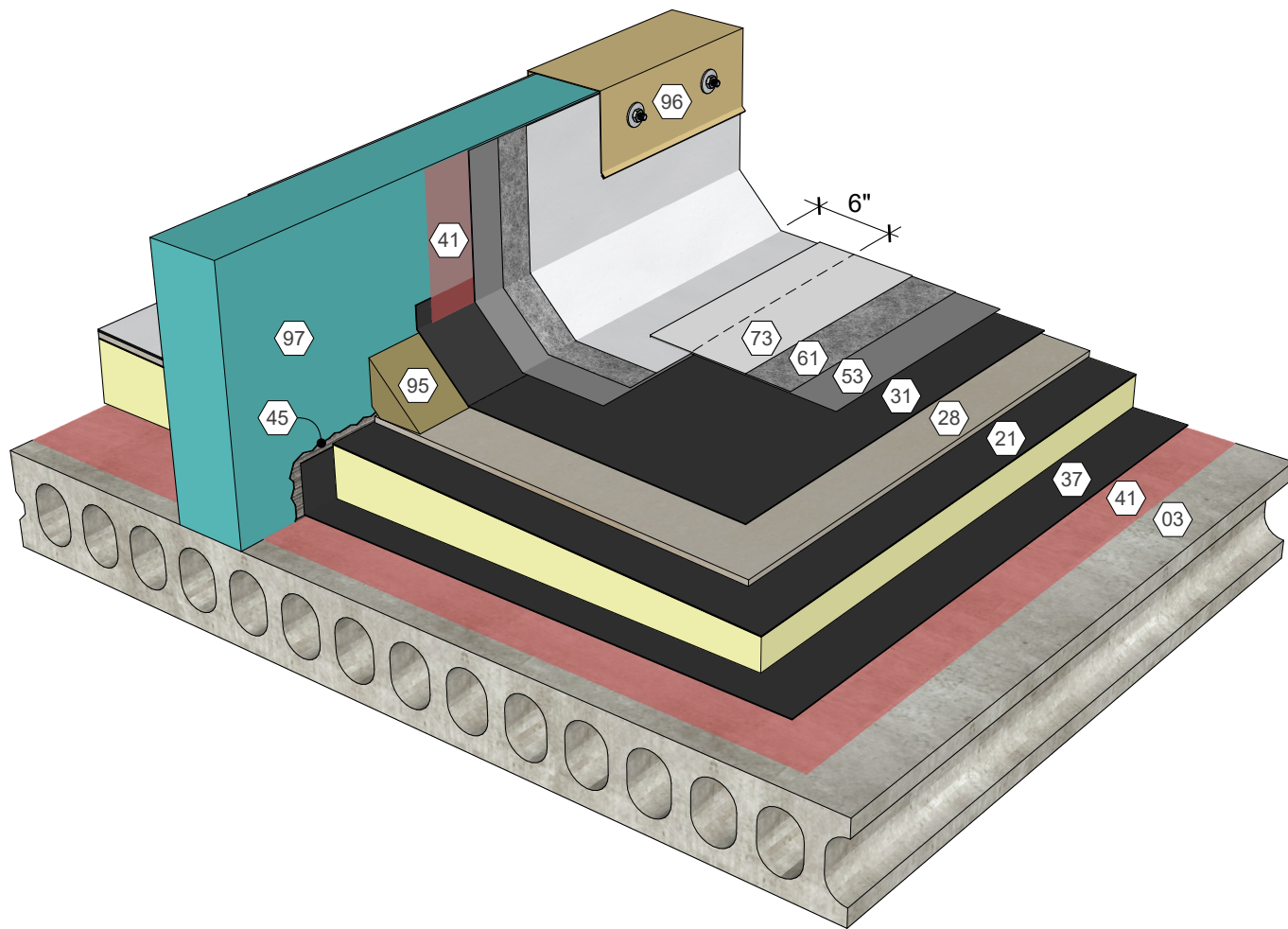
AlphaGuard® PUMA Plus Equipment Support, Temp. Roof, Metal Deck  
Detail 34101



## KEY NOTES

- ⑥02 Structural Concrete Deck
- ⑥21 Polyisocyanurate Insulation (Adhered)
- ⑥28 Cover Board (Adhered)
- ⑥31 Approved Base Ply Sheet
- ⑥37 Approved Base Sheet (Adhered)
- ⑥41 Approved Primer
- ⑥45 Roofing Mastic
- ⑥53 AlphaGuard PUMA Base Coat
- ⑥61 AlphaGuard Glass Mat or Permafab
- ⑥73 AlphaGuard PUMA Top Coat
- ⑥95 Cant Strip
- ⑥96 Metal Coping
- ⑥97 Prefabricated Curb

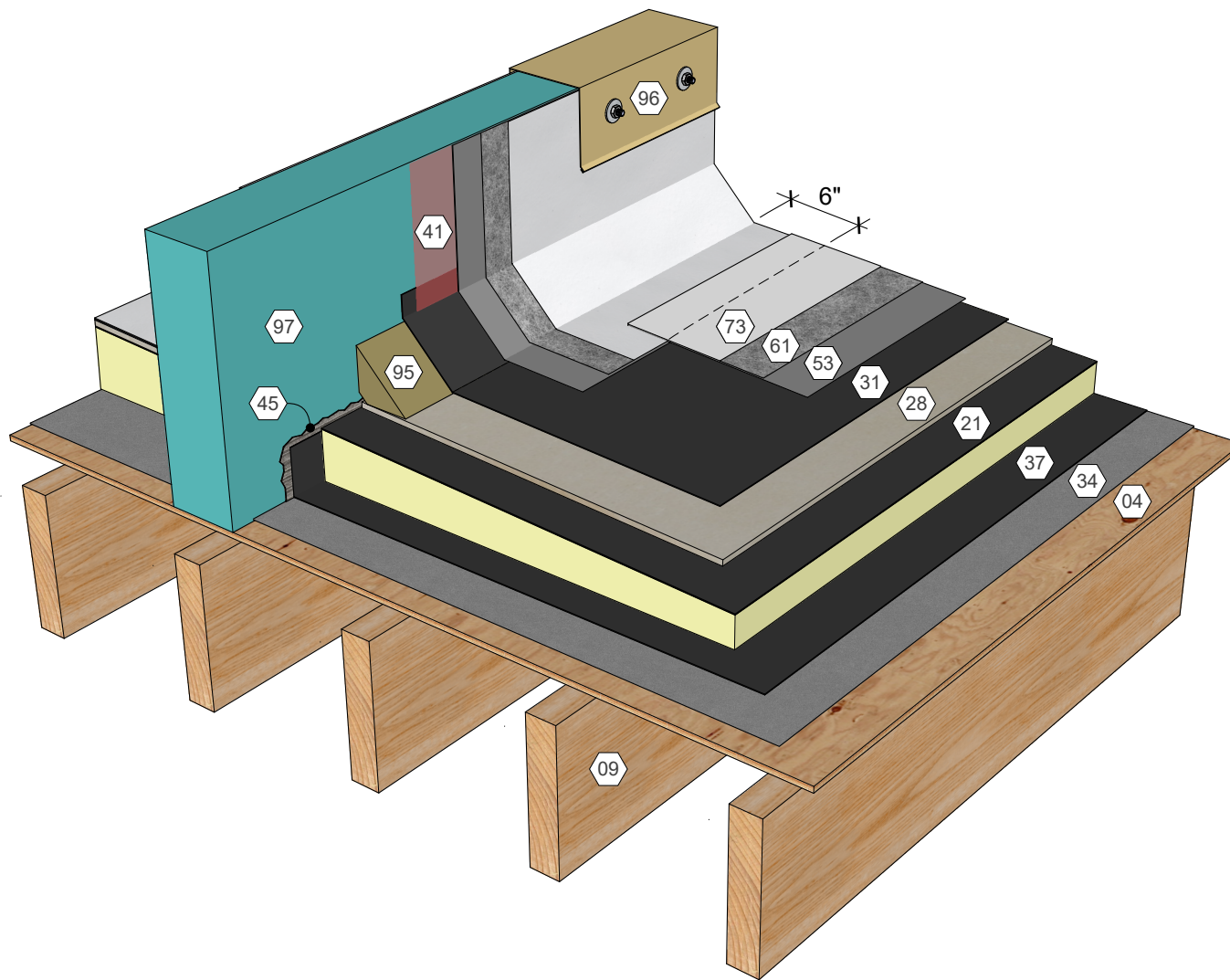
AlphaGuard® PUMA Plus Equipment Support, Temp. Roof, Structural Concrete Deck  
Detail 34102



### KEY NOTES

- 03 Precast Concrete Deck
- 21 Polyisocyanurate Insulation (Adhered)
- 28 Cover Board (Adhered)
- 31 Approved Base Ply Sheet
- 37 Approved Base Sheet (Adhered)
- 41 Approved Primer
- 45 Roofing Mastic
- 53 AlphaGuard PUMA Base Coat
- 61 AlphaGuard Glass Mat or Permafab
- 73 AlphaGuard PUMA Top Coat
- 95 Cant Strip
- 96 Metal Coping
- 97 Prefabricated Curb

AlphaGuard® PUMA Plus Equipment Support, Temp. Roof, Precast Concrete Deck  
 Detail 34103



## KEY NOTES

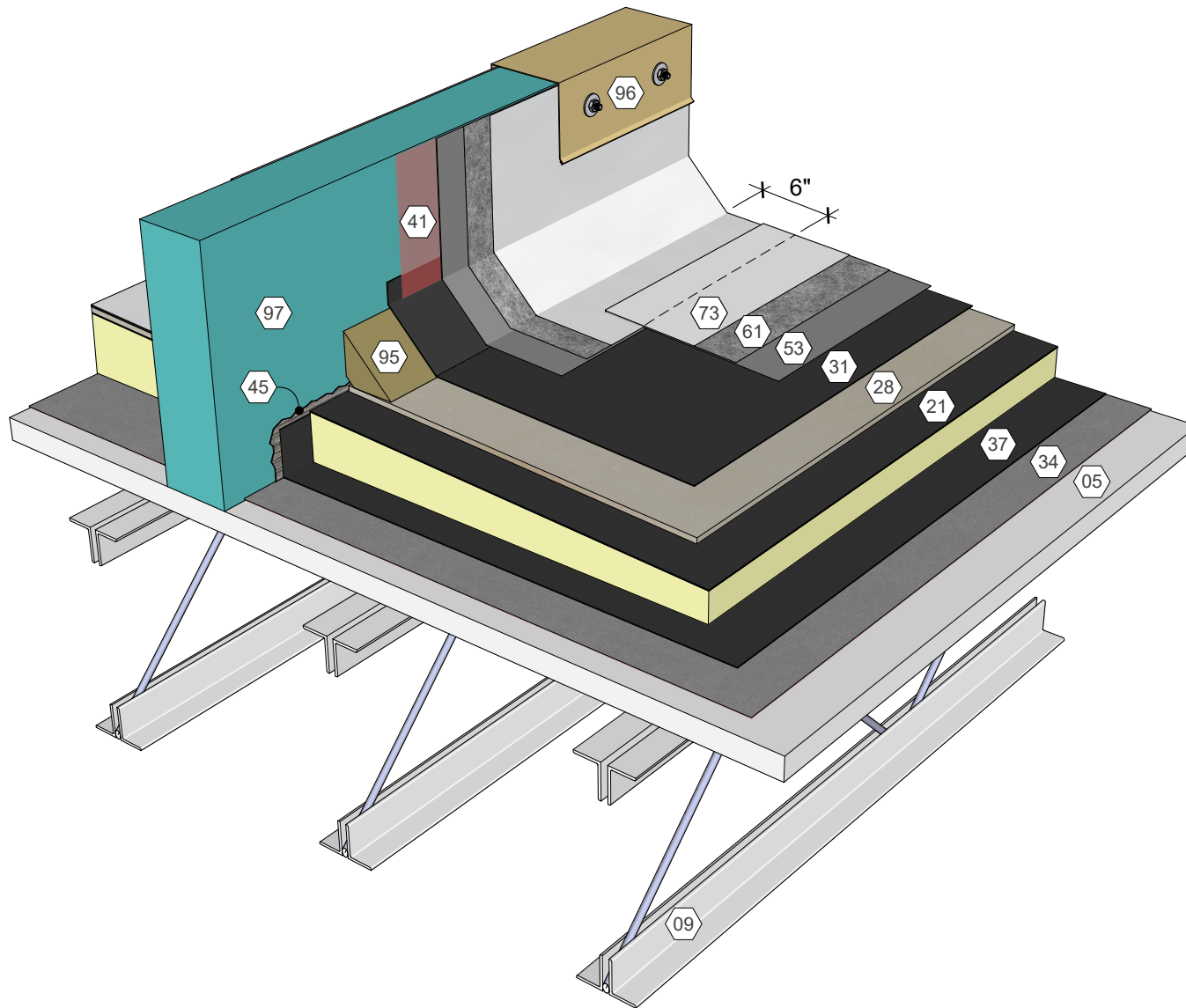
- 04 Wood Deck
- 09 Roof Structure
- 21 Polyisocyanurate Insulation (Adhered)
- 28 Cover Board (Adhered)
- 31 Approved Base Ply Sheet
- 34 Base Sheet (Fastened)
- 37 Approved Base Sheet (Adhered)
- 41 Approved Primer
- 45 Roofing Mastic
- 53 AlphaGuard PUMA Base Coat
- 61 AlphaGuard Glass Mat or Permafab
- 73 AlphaGuard PUMA Top Coat
- 95 Cant Strip
- 96 Metal Coping
- 97 Prefabricated Curb

AlphaGuard® PUMA Plus Equipment Support, Temp. Roof, Wood Deck  
Detail 34104



## KEY NOTES

- 05 Gypsum Deck
- 09 Roof Structure
- 21 Polyisocyanurate Insulation (Adhered)
- 28 Cover Board (Adhered)
- 31 Approved Base Ply Sheet
- 34 Base Sheet (Fastened)
- 37 Approved Base Sheet (Adhered)
- 41 Approved Primer
- 45 Roofing Mastic
- 53 AlphaGuard PUMA Base Coat
- 61 AlphaGuard Glass Mat or Permafab
- 73 AlphaGuard PUMA Top Coat
- 95 Cant Strip
- 96 Metal Coping
- 97 Prefabricated Curb



AlphaGuard® PUMA Plus Equipment Support, Temp. Roof, Gypsum Deck  
Detail 34105